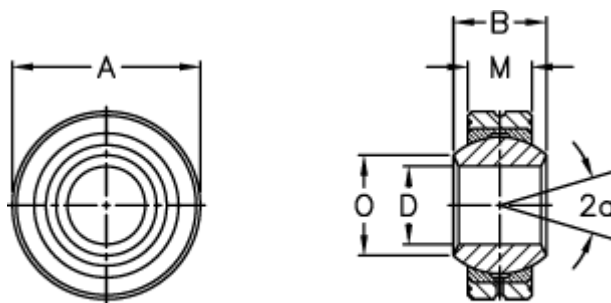


Article number: 03402006

Description: Fluro Rod end GLRS 6

Measures



Str. 3 uden smørerille

A	= 18
a (degrees)	= 13
B	= 9
D	= 6
Dynamic load C (kN)	= 4.3
M	= 6.75
O	= 8.9
Permissible rpm	= 1500

Static load C0 (kN)	= 25.8
Weight	= 12